

Wide Tote Bag "Cherry Handles"

♥ Materials

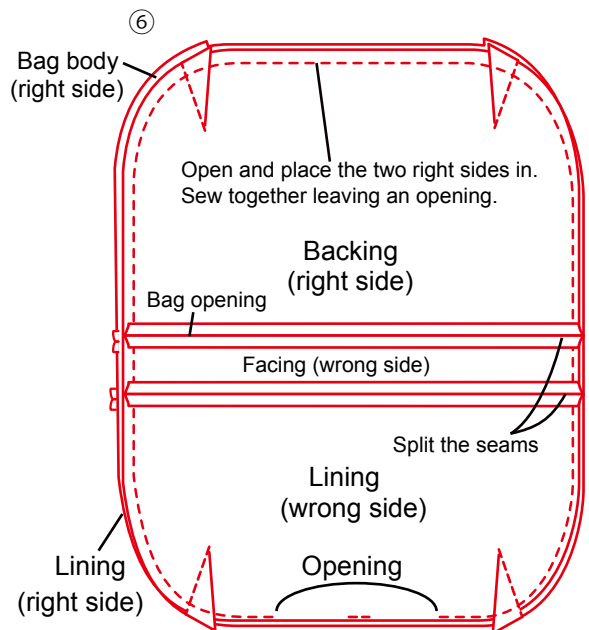
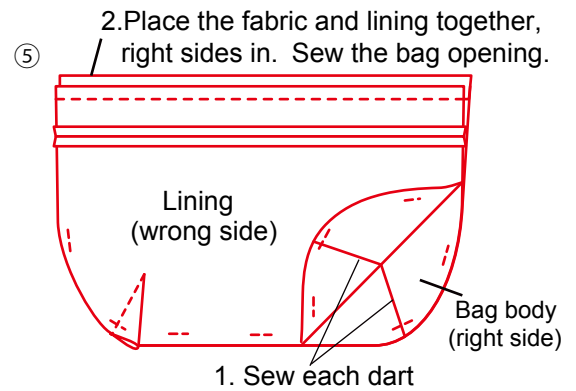
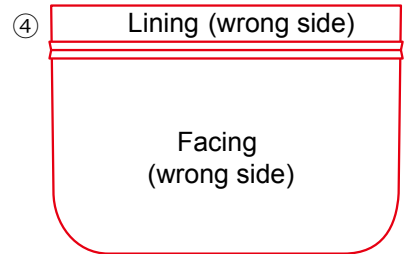
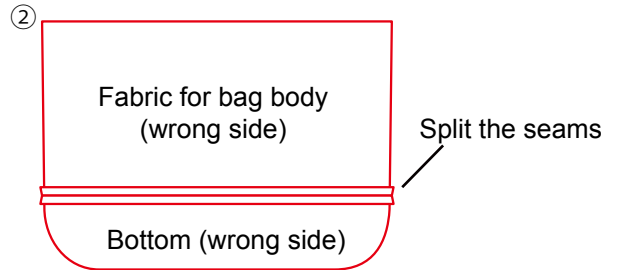
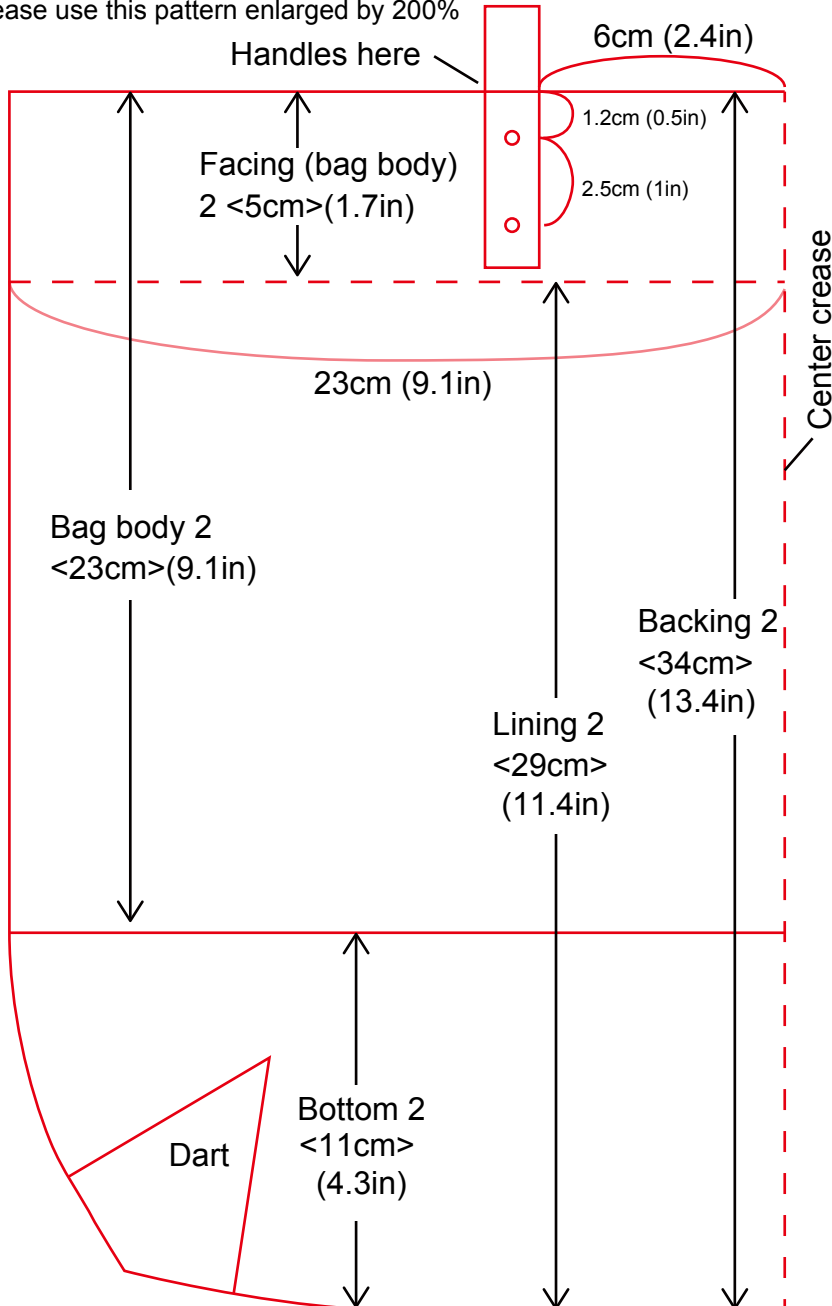
- Fabric for bag body (including the facing) : approx. 50 x 55cm (19.7 x 21.7in)
- Bottom part and : facing approx.50 x 55cm (19.7 x 21.7in)
- Backing : approx. width 110cm x 40cm (43.3 x 15.7in)
- Lining : approx. width 11
- Thick fusible quilt batting : approx. width 110cm x 40cm (43.3 x 15.7in)
- 5 types of lace : 60cm (23.6in) each
- One pair of handles : 40cm (15.7in) each

♥ Instructions ※Seam allowance 1cm (0.4in) unless otherwise specified

- ① Prepare the fabric for the bag body (refer to A in the next page) and place the lace where you wish. Make two of these.
- ② Sew the bag body to the bottom part. Make two of these.
- ③ Fuse the fusible batting quilt (cut without seam allowance) to the wrong side of the backing. Tack it to the bag body, right sides out. Quilt them together. Make two of these.
- ④ Sew the facing and lining together. Make two of these.
- ⑤ Sew the darts for both backing and lining. Place them together, right sides in. Sew the opening.
- ⑥ Open up each assembly and place them together, right sides in. Sew them together leaving an opening to pull the bag assembly out afterwards.
- ⑦ Pull the bag assembly out and close the opening.
- ⑧ Attach the handles.

<Sewing Pattern 50% reduced scale>

※ Please use this pattern enlarged by 200%



QUILT STUDIO QUILT STUDIO A-two

Zip code 300-0812

Shimotakatsu 2-5-29, Tsuchiura-shi

tel/fax 029-824-1984

www.a-two.com

Copying of this material is prohibited

LECIEN

Wide Tote Bag "Cherry Handles"

Ⓐ Prepare the fabric

